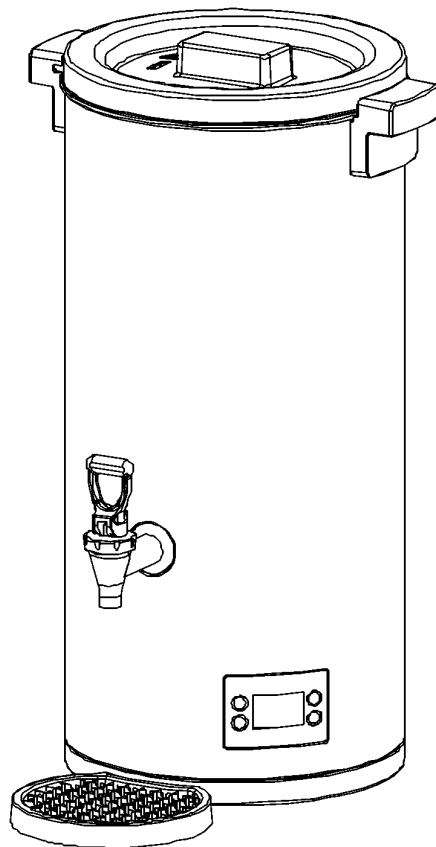


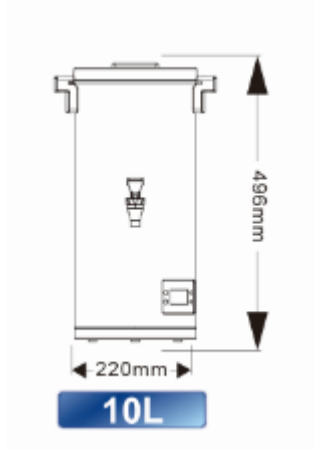
# Auto Fill Water Boiler Specification



**DWB020-10**

## Specification

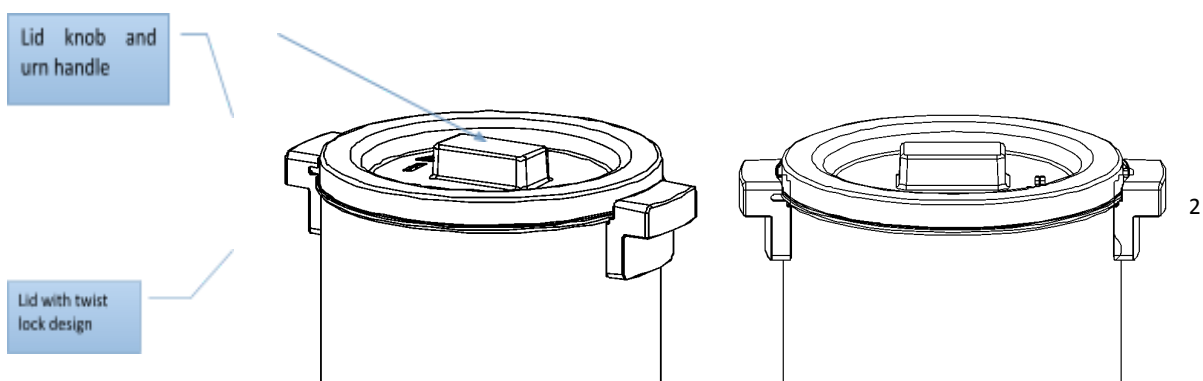
Model No.	Rated voltage	Rated power	Rated current	Nominal capacity	Product size (mm)	Inlet water pressure
DWB020-10	220-240V~ 50/60Hz	2000W	8.3-9.1A	10L	φ220X496	0.1MPa-0.4MPa



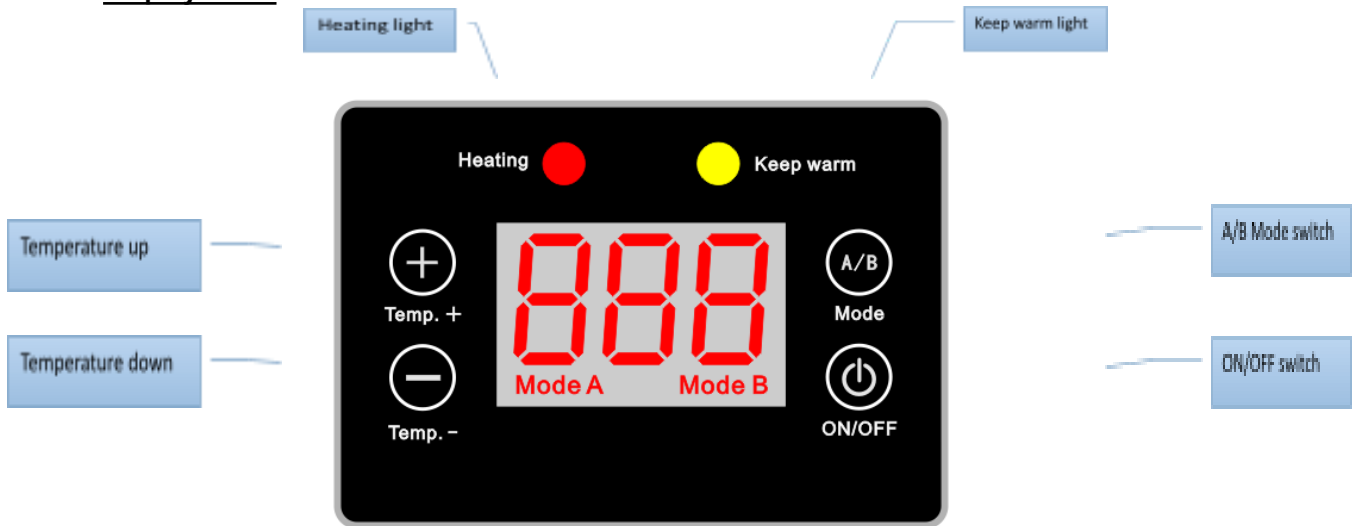
## Product Features

1. Double wall with # 304 SS inner tank, #201 SS outer tank
2. Concealed and replacement heating element
3. With non-drip # 304 SS water tap and SS base
4. Cool touch handle
5. With twist lock design on the lid and body
6. With detachable lid for easy cleaning and hygiene
7. With three temperature probes, minimum level, maximum level and anti over flow level
8. Soft touch control panel
9. Automatic mode for water filling in
10. Two working mode selection (Step in and storage mode)
11. With malfunction warning function
12. Double over heat safety protection
13. With memory function in case power off

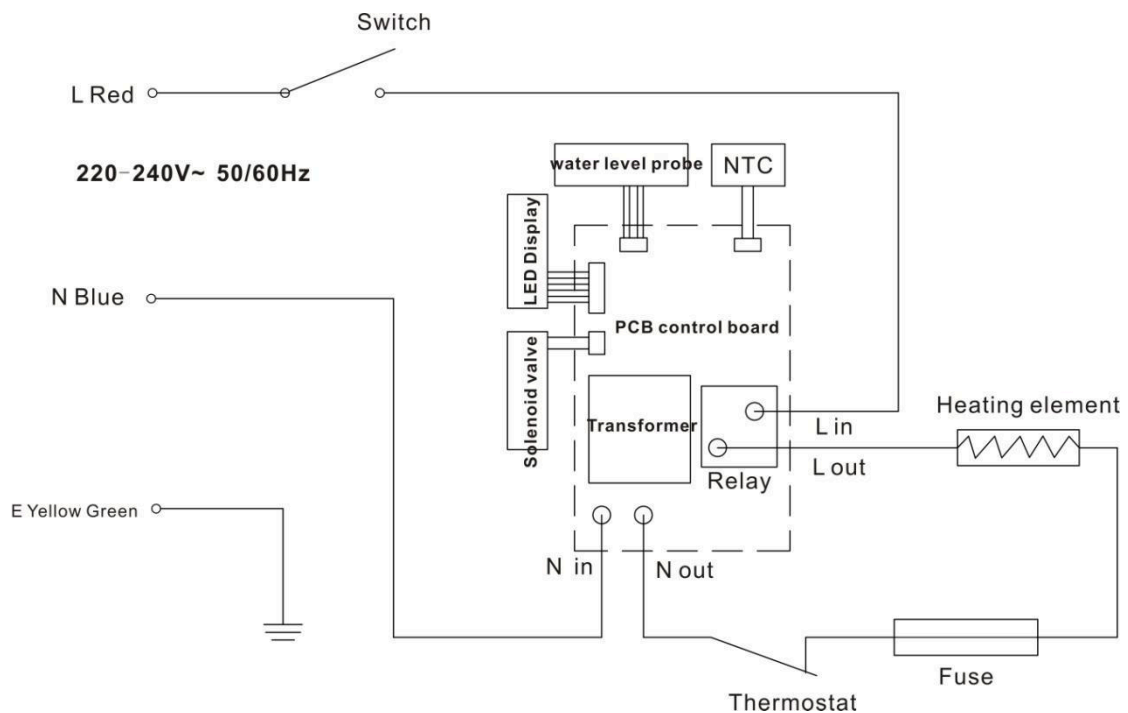
## Product Structure



## Display Panel



## Circuit Diagram



## ★★★Operation

1. Place the product on a stable desktop or workbench. Remember to ensure the safety and convenience of the product. It is strictly forbidden to use the water boiler in an inclined state.
2. Connect the G 1/2 'water pipe to the municipal water source or filtered water to the water inlet of the product (the water pipe must be a special safety pressure-resistant metal pipe) and plug the power cord into the power supply. The water pipe must have a water inlet control

valve.

3. Press the Rocker switch to the state of "ON", with the sound of "Beep" and the display panel displays "OFF".

4. Function description :

**Step in Mode "Mode A" :**

- 1 For the first use: touch the "Switch" key on the display panel, and the water boiler will enter the startup state. The default mode is step in mode. The water gets into the tank and when the water level reaches the low water level, the inlet water stops, and it starts heating, "heating" light is on. When the water is heated to potable water, water inlet continues. When the water is heated to potable water, repeat the above process of "water fill in – heating – water fill in" until the water level reaches the high water level. Then stop adding water.
- 2 Under "Mode A", when the water temperature reaches the drinkable water temperature, as long as the system detects that the water level does not reach the high water level, the water automatically gets in and starts heating, "heating" light is on.

**Water Storage Mode "Mode B" :**

- 1 Under "Mode A", press the "A/B Mode" switch, switch to the water storage mode, the display panel "Mode B" light is on. Under Mode B, when the water level falls below the low water level, water will be automatically filled and added to the high water level. When water reaches the high water level, it starts heating, "heating" light is on. When the water is heated to drinkable temperature, the "Heating" lamp is off and the "Keep Warm" lamp is on.
  - 2 Under "Mode B", when the water level is between the low water level and the high water level, long-press the "A/B mode" switch for 2 seconds to manually add water. When water reaches the high water level, it starts heating. Long-press "A/B" switch for 2 seconds during filling to stop adding water.
5. In the startup state, press "A/B mode" every time to switch between "Mode A" and "Mode B".
6. In the startup state, long-press the "Switch" button for 2 seconds, and the water heater will enter standby state. The display panel will display "OFF".
7. When "Keep warm" light is on, the water is ready to use. Press the water tap to get hot water.
8. Press the "+" or "-" key to increase or decrease the setting temperature by 1°C, and the panel flashes to display the current setting temperature.
9. Do not move when there is hot water in the boiler to avoid scalding accident
10. When the boiler is working, please be careful of the steam window on the lid to avoid scalding. If you want to open the lid, please turn off the power before operating.

This product is equipped with double dry burn protection. In case the water in the boiler boils dry, the first protective device immediately makes the product automatically power off. At this point, please turn off the switch, pull out the plug, wait for the water tank to cool to room temperature. Then plug it back into the power supply, if the display panel light is on, it means the water boiler can work normally again.

If the first protection fails, this product also has the second protection device: fuse. When fuse action, the product automatically power off. However, after the fuse is cut off, the user needs to send the product back to the warranty for repair before it can be used normally again. Note: product damage due to improper operation is not covered by the free warranty.

### **Trouble Shooting**

Fault display	Cause of problem	Process Method
"E1"	Temperature sensor fault	Contact with manufacturer or distributor
"E2"	Water level sensor fault	Contact with manufacturer or distributor
"E3"	Over safe water level alarm	Reduce the amount of water in the tank or clean the scale in the tank
Display panel does not display, no response pressing the key	No power or bad connect of the power socket	Switch on the power supply and ensure good connection
	Switch is off	Press the Rocker Switch to "ON"
	Dry burn protection devise is acted	Contact with manufacturer or distributor
	Circuit failed	Contact with manufacturer or distributor
Leakage on water tap	Sealing deformation	Open the tap for a few times to reset the sealing, or replace the sealing
Water temperature does not change after long time heating	Heating element damage or circuit fails	Contact with manufacturer or distributor
No water filling in at low water level	No water supply, or water inlet device failure	Reset water supply, or replace the water inlet device