

INOX | Saladette

SALADETTE ▶ GNI/1 ▶ SANDWICH TOP

CRS 90A



-
-
-
-
-
-
-
-
-

DETAILS

Main switch and digital thermostat fitted as standard

Curved edge for easy cleaning

Engine room lock fitted as standard

Anti-condensation thermal-braker on door frame

Inner embossed door design for a better sealing

Sliding engine easy to pull out for manageable after sales servicing

Inner assistance fan

Door design



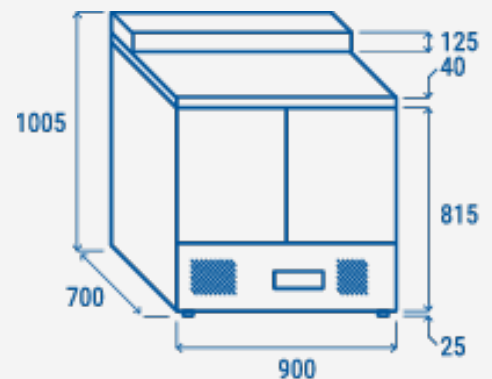
GENERAL FEATURES

- GNI/1 Refrigerated saladette (SANDWICH TOP)
- Stainless Steel exterior and interior
- Static Cooling
- Automatic compressor cycle defrost
- Foaming Agent Cyclopentane (45mm per side)
- Digital Thermostat
- Sliding engine room for a manageable after sales servicing
- Plastic thermal-braker as chamber body frame
- Easy removable condenser filter
- Separated plastic water tray
- Front panel tilted holes for better air circulation
- Adjustable shelves GNI/1: 2 Pcs and holder spacer for GNI/6 pans
- Self closing door (New inner embossed design for a better sealing)
- Removable Gasket
- Engine room lock fitted as standard
- N.2 Adjustable feet in the front + N.4 fix rollers
- Stainless steel LID top
- Energy efficiency class: -

TECHNICAL SPECIFICATIONS

Capacity	239 L
Temperature	+0° - +8°C
Consumption	2.42 kWh/24h
Rated Power	142.4 W
Noise level	50 dB(A)
Net Weight	73 Kg
Gross Weight	93 Kg
External Dimensions (WxDxH mm)	900x700x1005
Internal Dimensions (WxDxH mm)	810x586x620
Packaging dimensions (WxDxH mm)	950x750x1160
Loading quantities 20'/40'/40'HQ	18/36/72

PRODUCT DIMENSIONS



CERTIFICATION

CE RoHS

